

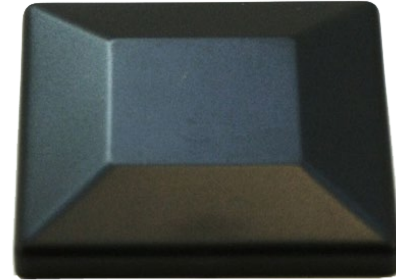
L1RRKPA-S



L1 GPS Passive Antenna Technical Product Data

Features

- Low Input SWR
 - 1.5:1
- Peak Gain
 - 4dBic
- Right Hand Circular Polarization



Description

The L1RRKPA-S is an SMA-female L1-only GPS passive antenna with 4dBic peak gain.

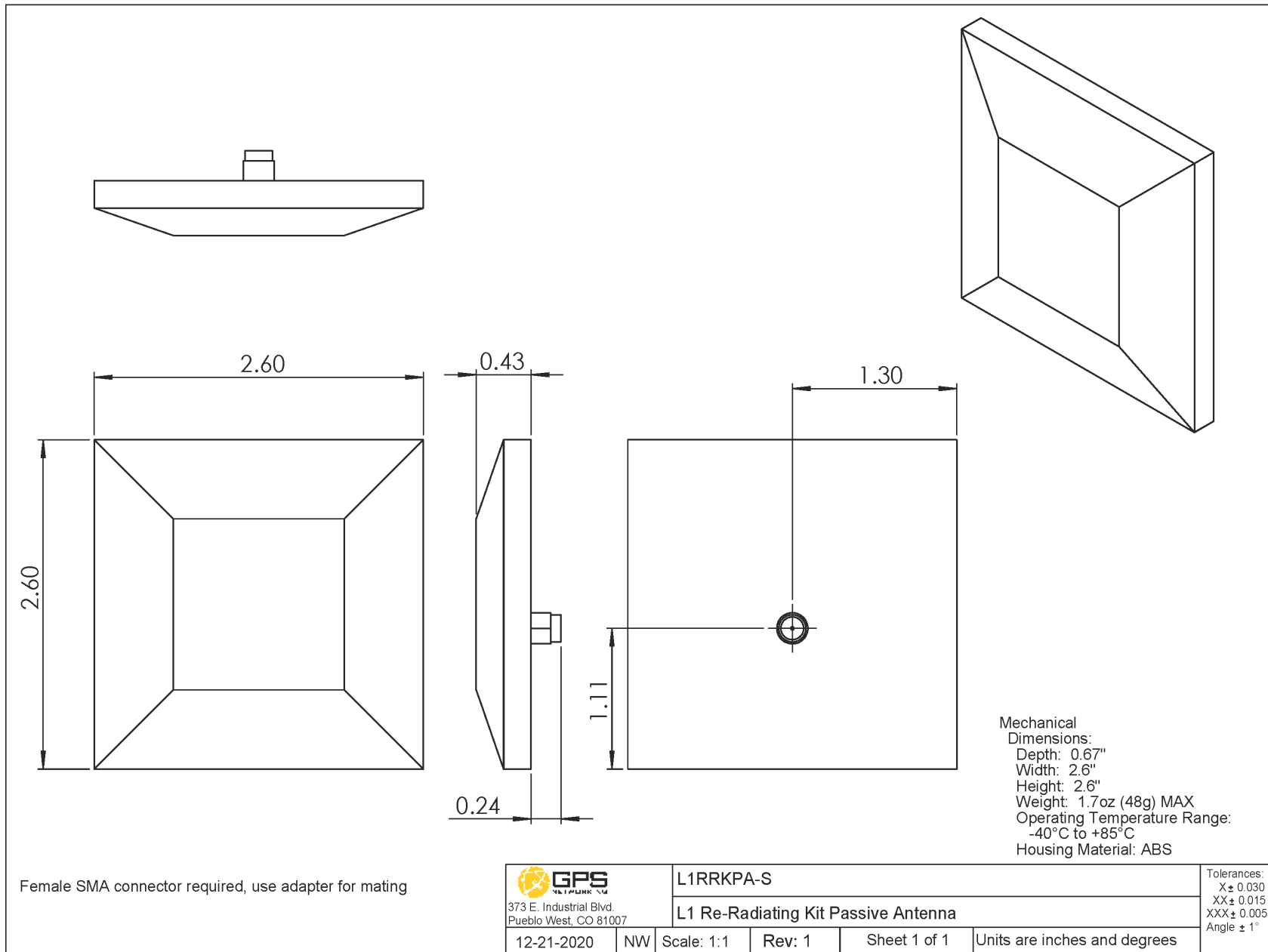
Use Cases

- Re-radiate the L1 signal indoors for GPS product testing.
- Saves time and money by keeping military aircraft hangared during navigation system maintenance.
- In combination with one of our splitter devices to create a GPS distribution network.

Re-Radiating Antenna Electrical Specifications, TA=25°C

Parameter	Notes	Min	Typ	Max	Unit
Frequency	Re-Radiates GPS L1 frequency.	1.572	1.575	1.578	GHz
Axial Ratio	Ratio between the major and minor axes of the polarization ellipse.			3	dB
Peak Gain	The Increase in signal power relative to an isotropic antenna source.			4	dBic
Bandwidth	Passband centers at GPS L1 frequency.	20			MHz
Input SWR	Input Standing Wave Ratio: S11 at L1.			1.5:1	-
Characteristic Impedance	Input port matched to 50Ω.		50		Ω
Polarization					
Right Hand Circular Polarization					
Connector Options	Connector Style	Charge			
	Type SMA-female	No Charge			

Mechanical



Contact us at salestech@gpsnetworking.com for 3D models or CAD drawings.